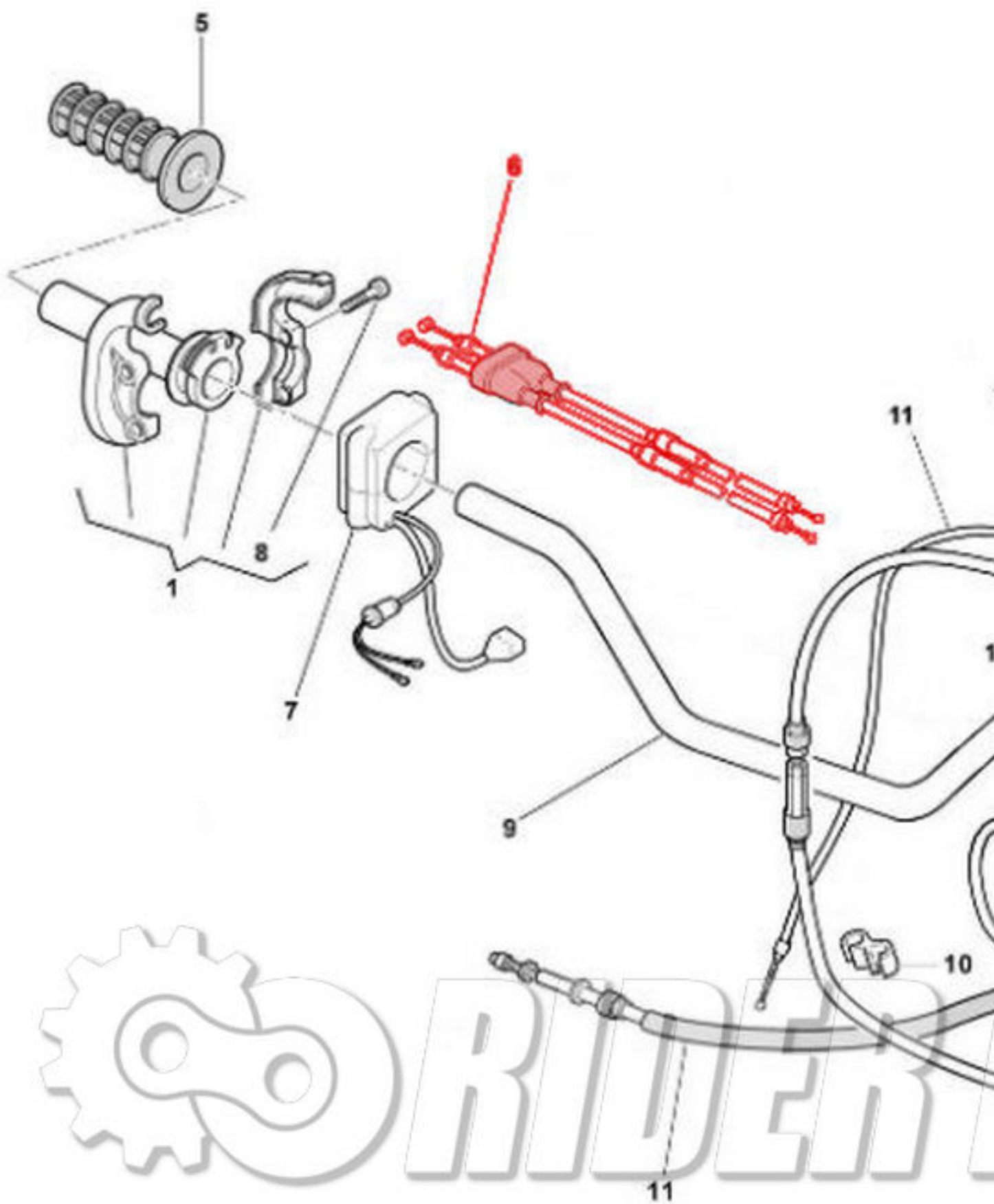




Cięgno gazu Prox 53.110053

Nr OEM Husqvarna: 8000 A4630



## Zastosowanie Husqvarna:

Model	typ	VIN (od - do)	Rocznik	Il. cyl.	Moc silnika
Husqvarna SM 450 R	H802BD	ZCG H802BD-4V0060 00	2005	1	46 PS, 34 kW
Husqvarna SM 450 R	H802BD	ZCG H802BD-5V0060 00	2006	1	50 PS, 37 kW
Husqvarna SM 450 R Euro2	H812AB	ZCG H812AB-7V0000 01	2007	1	50 PS, 37 kW
Husqvarna SM 450 R Euro3	H812AB	ZCG H812AB-7V0033 38	2007- 2008	1	50 PS, 37 kW
Husqvarna SM 510 R	H803CC	ZCG H803CC-4V0060 00	2005	1	
Husqvarna SM 510 R	H803CC	ZCG H803CC-5V0060 00	2006	1	58 PS, 43 kW
Husqvarna SM 510 R Euro2	H813AB	ZCG H813AB-7V0000 01	2007	1	58 PS, 43 kW
Husqvarna SM 510 R Euro3	H813AB	ZCG H813AB-7V0033 40	2007	1	58 PS, 43 kW
Husqvarna TC 250 4T	-	-	2008	1	
Husqvarna TC 250 4T	A300AA	ZKH A300AA-9V0000 01	2009	1	
Husqvarna TC 250 4T	A300AA	ZKH A300AA-AV0500 01	2010	1	
Husqvarna TC 250 4T	H800AA	ZCG H800AA-4V0520 00	2005	1	31 PS, 23 kW
Husqvarna TC 250 4T	H800AA	ZCG H800AA-5V0520 00	2006	1	
Husqvarna TC 250 4T	H810AA	ZCG H810AA-7V0500 01	2007	1	
Husqvarna TC 450	-	-	2008	1	
Husqvarna TC 450	A202AA	ZKH A202AA-9V0500 01	2009	1	
Husqvarna TC 450	A202AA	ZKH A202AA-AV0500 01	2010	1	
Husqvarna TC	H802BA	ZCG	2005	1	54 PS, 40 kW

450		H802BA-4V0520 00				
Husqvarna TC 450	H802BA	ZCG H802BA-5V0520 00	2006	1		
Husqvarna TC 450	H812AA	ZCG H812AA-7V0500 01	2007	1		
Husqvarna TC 510	-	-	2008	1		
Husqvarna TC 510	A203AA	ZKH A203AA-9V0500 01	2009	1		
Husqvarna TC 510	H803CD	ZCG H803CD-4V0520 00	2005	1		
Husqvarna TC 510	H803CD	ZCG H803CD-5V0520 00	2006	1		
Husqvarna TC 510	H813AA	ZCG H813AA-7V0500 01	2007	1		
Husqvarna TE 250 4T	H800AC	ZCG H800AC-4V0060 00	2005	1		31 PS, 23 kW
Husqvarna TE 250 4T	H800AC	ZCG H800AC-5V0060 00	2006	1		16 PS, 12 kW
Husqvarna TE 250 4T Euro2	H810AA	ZCG H810AA-7V0000 01	2007	1		16 PS, 12 kW
Husqvarna TE 250 4T Euro3	H810AA	ZCG H810AA-7V0033 29	2007	1		16 PS, 12 kW
Husqvarna TE 450	H802BC	ZCG H802BC-4V0060 00	2005	1		46 PS, 34 kW
Husqvarna TE 450	H802BC	ZCG H802BC-5V0060 00	2006	1		19 PS, 14 kW
Husqvarna TE 450 Euro2	H812AA	ZCG H812AA-7V0000 01	2007	1		19 PS, 14 kW
Husqvarna TE 450 Euro3	H812AA	ZCG H812AA-7V0033 32	2007	1		19 PS, 14 kW
Husqvarna TE 510	H803CA	ZCG H803CA-4V0060 00	2005	1		54 PS, 40 kW
Husqvarna TE 510	H803CA	ZCG H803CA-5V0060 00	2006	1		19 PS, 14 kW
Husqvarna TE 510 Euro2	H813AA	ZCG H813AA-7V0000	2007	1		19 PS, 14 kW

Husqvarna TE 510 Euro3	H813AA	01 ZCG H813AA-7V0033 35	2007	1	19 PS, 14 kW
Husqvarna TE 610 E E-Start	A100AA	ZCG A101AA-5V0000 01	2006	1	30 PS, 22 kW
Husqvarna TE 610 E E-Start	A100AA	ZCG A100AA-5V0000 01	2006	1	53 PS, 39 kW
Husqvarna TE 610 E ie E-Start	A101AA	ZCG A101AA-7V0060 00	2007	1	30 PS, 22 kW
Husqvarna TE 610 ie ID: 1564			2008		